



THYRISTOR SWITCHES

SC series thyristor switches are used in systems where fast-switching is required. With the use of SC series thyristor switches, capacitors can be switched on and off in a duration of 1 period (20ms).

As a result, power factor correction of fast-switching loads such as spot welding machines, cranes and arc furnaces can be done effectively.

- Reaction time of less than 20ms
- Triggering with RS-485 or DC signal
- Reactor thermal input
- Thermal protection
- Warning LEDs
- Easy mounting
- Quiet operation
- Cooling design that enables continuous operation under maximum temperature and load
- High safety with FFT in high harmonic environments
- Compatible RG3, RGA, RGS power factor controller

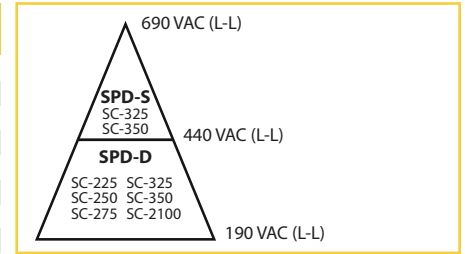
Field of use:

Arc furnaces, spot wedding machines, crane systems, elevator applications



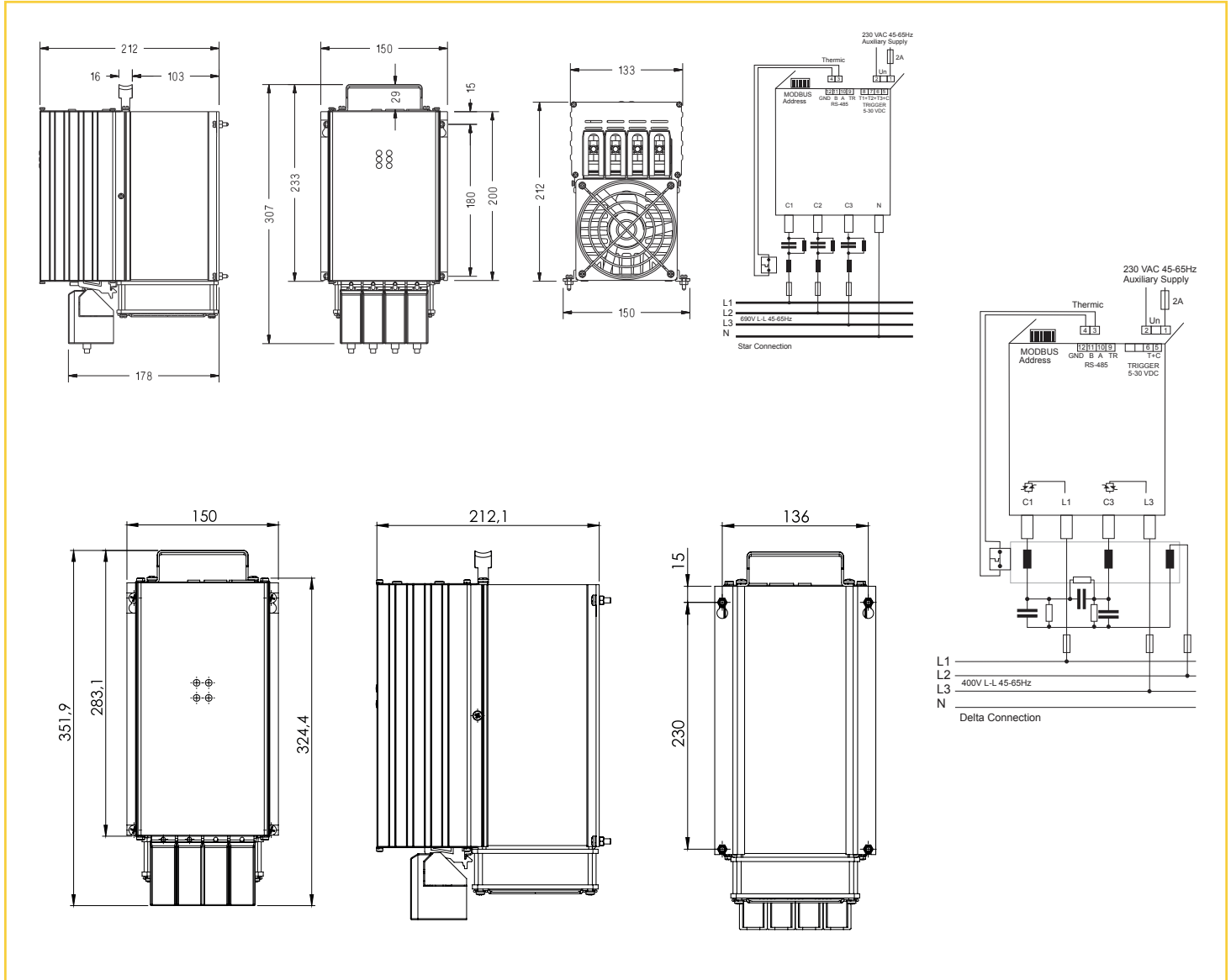
SPECIFICATIONS

	25 kVAr / 50 kVAr Thyristor Switches	75 kVAr / 100 kVAr Thyristor Switches
Operating Voltage	440V/690V	440V
Maximum Power	25kVAr/50 KVar	75/100 KVar
Frequency	45-65 Hz	45-65 Hz
Trigger Voltage	5-30 V DC	5-30 V DC
Operating Temperature	-10 C°, +55C°	-10 C°, +55C°
Storage Temperature	-10C°, +75C°	-10C°, +75C°
Humidity	%95	%95
Protection Class	IP-00	IP-00
Standard	EN 60947-1	EN 60947-1
Dimensions	275,7mm x 140mm x 212mm	275,7mm x 140mm x 212mm



⚠ These products are advised to be used with ENTES SPD Series Surge Protection Devices

	25 kVAr	50 kVAr	75 kVAr	100 kVAr
Delta with 2 Thyristors (440V)	SC-225	SC-250	SC-275	SC-2100
Star with 3 Thyristors (690V)	SC-325	SC-350	-	-



HEADQUARTERS

Address: Dudullu OSB; 1. Cadde; No: 23 34776 Ümraniye - İSTANBUL / TÜRKİYE Tel: +90 216 313 01 10 Fax: +90 216 314 16 15 Sales Fax: +90 216 365 71 71
E-mail: impex@entes.com.tr Web: www.entes.com.tr E-bulletin membership: ebulten@entes.com.tr Coordinates: 40,995852 N, 29,178398 E

INTERNATIONAL BRANCH OFFICES

İSTANBUL : impex@entes.com.tr Tel: +90 216 313 01 10 Fax: +90 216 314 16 15
NETHERLANDS : info@entes.eu Tel: +31 412 - 644319
GREECE : infohellas@entes.eu Tel: +30 2310 706999 +30 2310 707296

© ENTES Elektronik Cihazlar İmalat ve Ticaret A.Ş.

